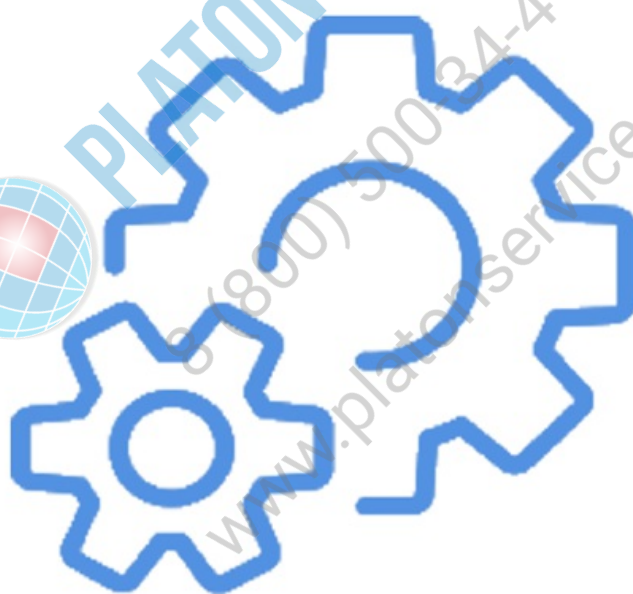


cod.DW077

Catalogo ricambi
Spare parts catalog
Catalogue de pièces détachées
Ersatzteilkatalog
Catálogo de repuestos
Catálogo de peças de reposição
Каталог запасных частей

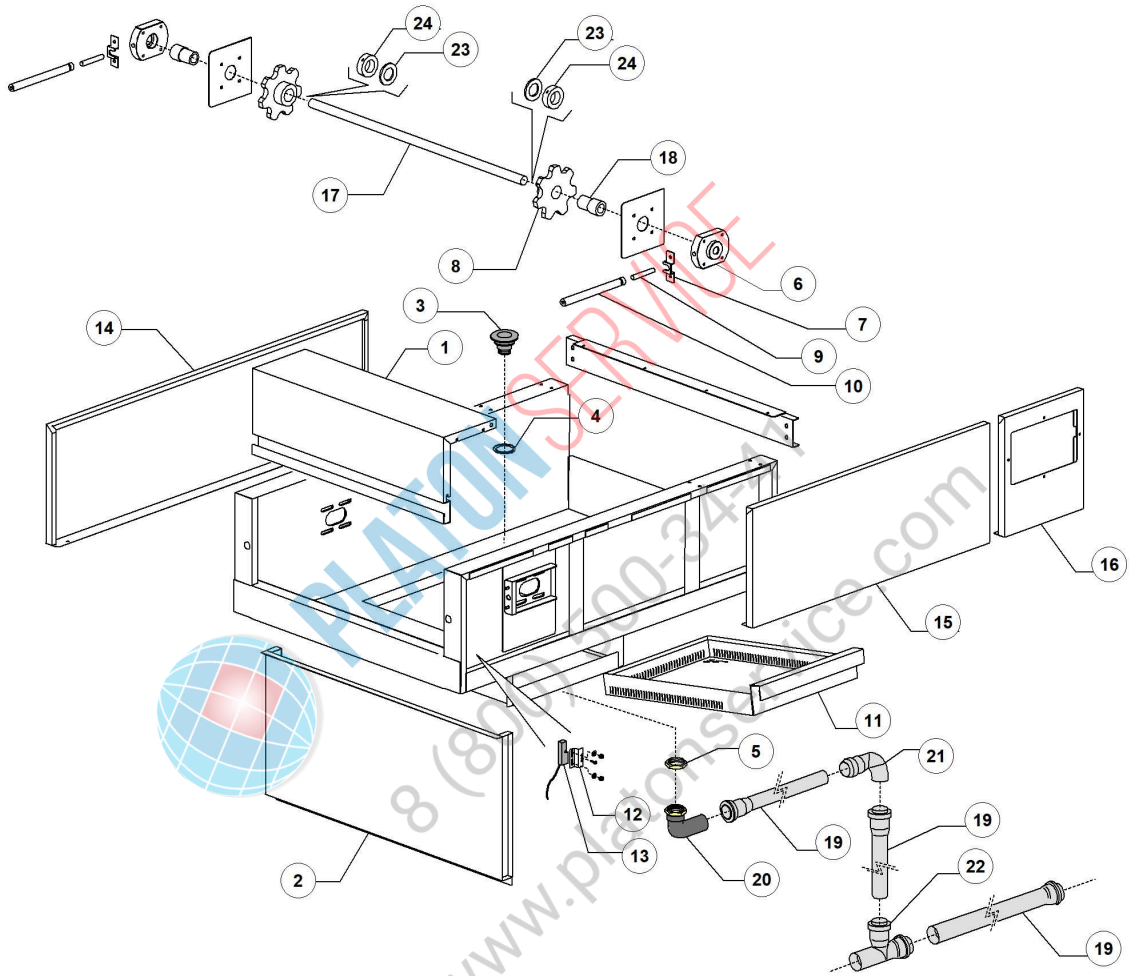
data:26/08/2021

FX250 DX FC90/2 XP 400V3N 50HZ



S/N:DWG1000776



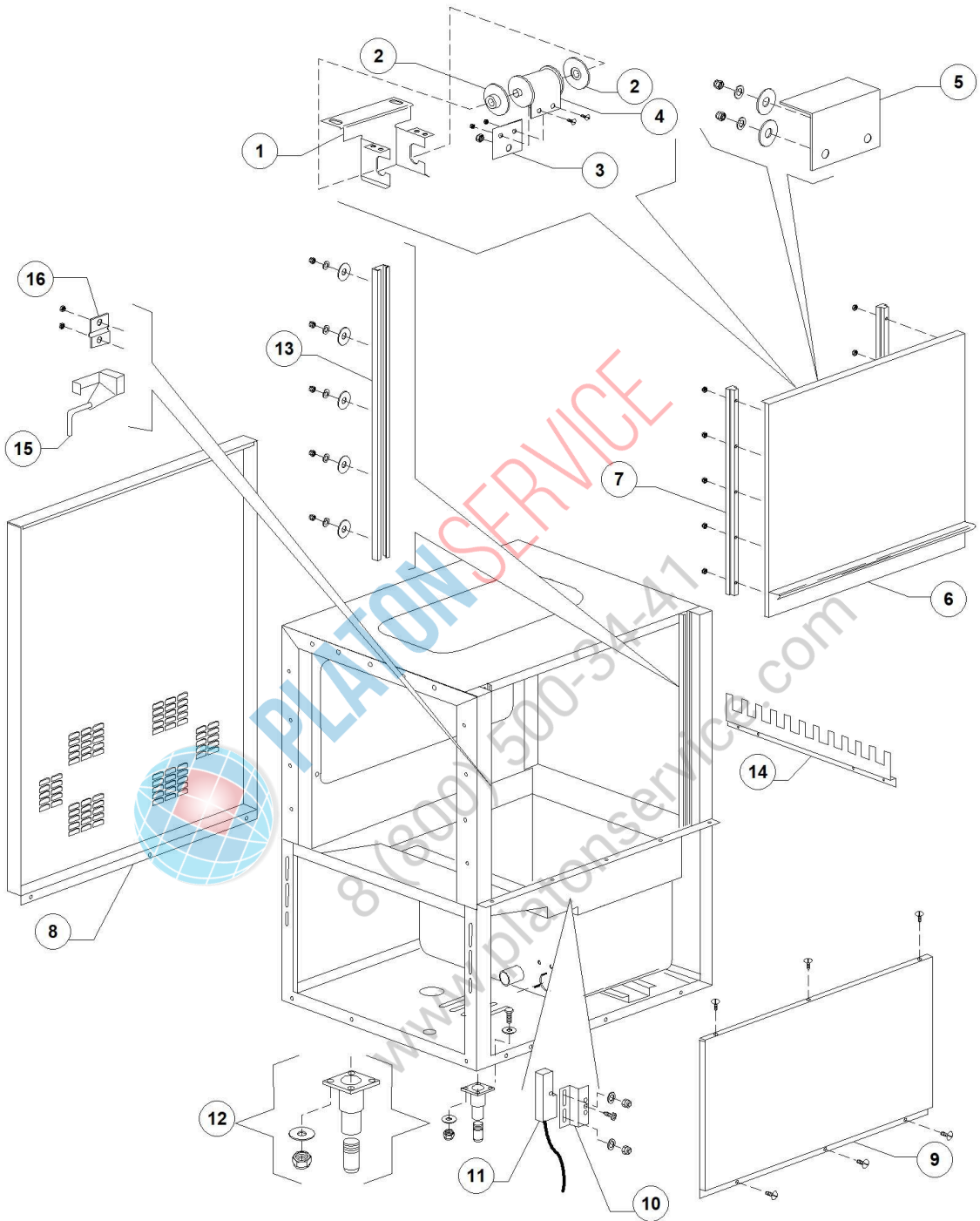


FX250 DX FC90/2 XP 400V3N 50HZ - DWG1000776 - Mensola ingresso - DW077

Pos.	Codice	Descrizione	Description
1	DW3060066	SPORTELLO MENSOLA FX	SHELF DOOR
2	DW3060291	#PANNELLO SOTTO MENSOLA L900	Under bracket panel
3	DW10200113	PILETTA SCARICO	FLOOR DRAIN
4	DW10200173/A	GUARNIZIONE 75X58X3	75X58X3 GASKET
5	DW10200114	DADO PILETTA G2 ESA-75	FLOOR DRAIN NUT
6	DW3060128	SUPPORTO LATERALE ALBERO FOLLE	NEUTRAL SHAFT SIDE SUPPORT
7	DW3060284	STAFFA REGOLAZIONE NASTRO	CONVEYOR ADJUSTING BRACKET
8	DW3060134	PULEGGIA FOLLE NASTRO P60 Z7	IDLE PULLEY P60 Z7 BELT MACHINE
9	DW3060287	BARRA FILETTATA M12x80	THREADED BAR M12X80
10	DW3060285	PERNO REGOLAZIONE NASTRO (mens.sbalzo)	SETTING CONVEYOR PIN
11	DW3060278	FILTRO MENSOLA A SBALZO L1200	SUSPENDED SHELF FILTER L1200
12	DW3009112	PIEG. SUPPORTO MAGNETE PER PORTA	ECONOMIZER MICROSWITCH SUPPORT
13	DW3003112	REED MICRO PORTA E530	MAGNETIC REED SWITCH
14	DW3060290	#PANNELLO LAT. L1200 MENSOLA A SBALZO	
15	DW3060289	#PANNELLO LAT. L900 MENSOLA A SBALZO	
16	DW3060288	#PANNELLO LAT. L300 MENSOLA A SBALZO	
17	DW3060020	ALBERO FOLLE NASTRO	NEUTRAL SHAFT
18	DW3060135	BOCCOLA PULEGGIA FOLLE	IDLE PULLEY BUSH
19	DW3060250	PP-TUBO 2 BICCH. HTDM 40/1,00	PP PIPE HTDM 40/1,00
20	DW3060174	CODULO CURV.DADO OTT.40X1"1/4PR	BENT TANG 40X1"1/4
21	DW3060175	PP-CURVA 90° 87G30' HTB 40	PP-BEND 90° HTB 40
22	DW3060176	RACCORDO TI PP F-F-M 40	UNION TEE PP 40 F-F-M



8 (800) 500-3441
www.platonservice.com

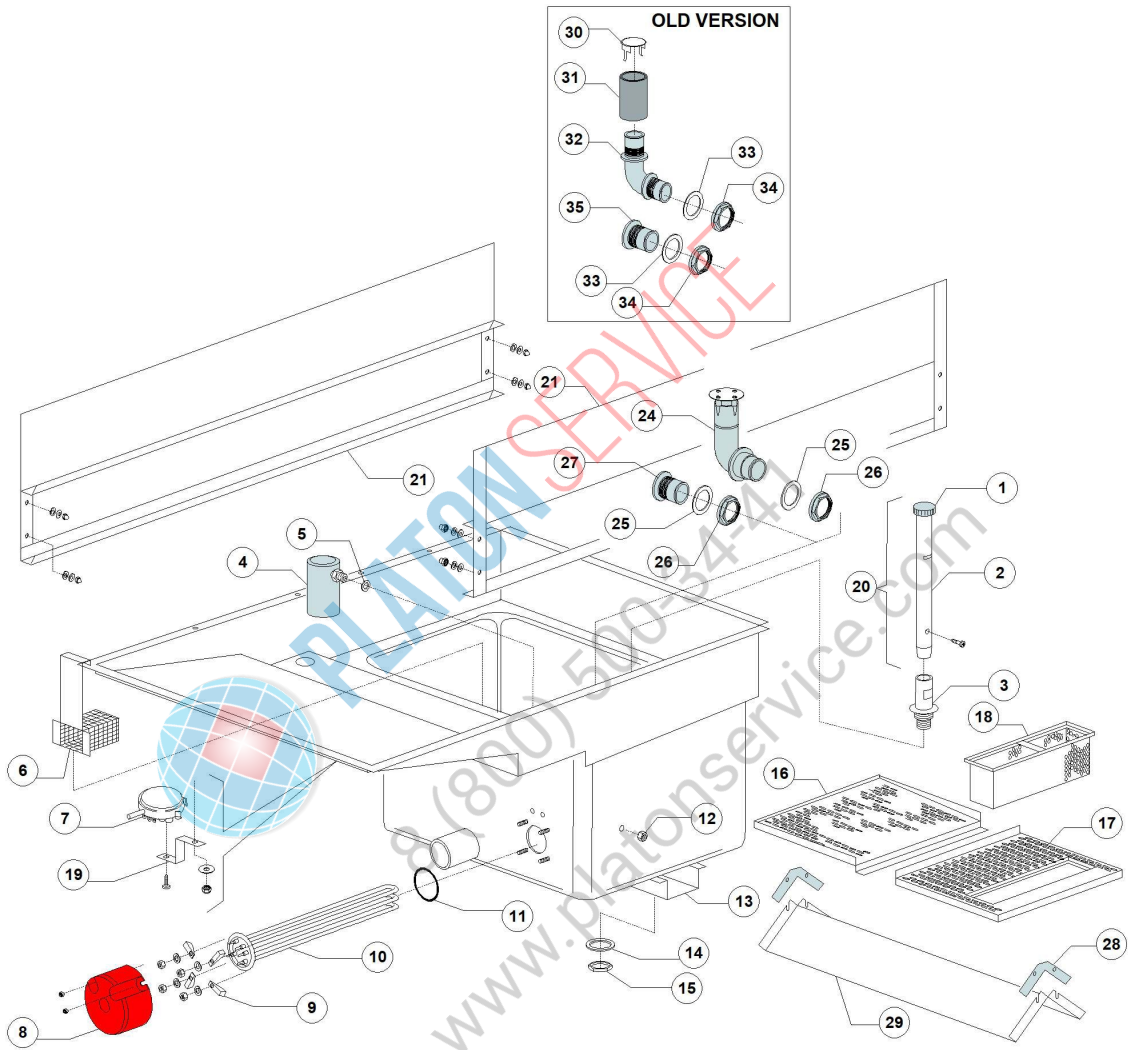


FX250 DX FC90/2 XP 400V3N 50HZ - DWG1000776 - Prelavaggio / Lavaggio L=900 (1) - DW077

Pos.	Codice	Descrizione	Description
1	DW3009665	#STAFFA SUP.MOLLA BBSR22 2003	SPRING SUPPORT BBSR22
2	DW3004012	SPALLA SUPPORTO MOLLA PORTA	SPRING HOLDER
3	DW3009555	#PIASTRINA FIX MOLLA TRAINO AX151	SPRING CLAMPING PLATE
4	DW3004013	MOLLA INOX PER PORTA MOD.BBSR22	DOOR SPRING BBSR22
5	DW3009269	#SQ.FINE CORSA PORTA	DOOR STOP
6	DW3009403	#ASSIEME PORTA MOD.900 COMPLETA	DOOR ASSEMBLY
7	DW3004026	PROFILO PATTINO GUIDA PORTA L760	DOOR GUIDE
8	DW3060082	#PANNELLO POSTERIORE L900 FX	BACK PANEL L900 FX
9	DW3009147	#PIEG.SOTTOPORTA 900 INTERO	FRONT COVER
10	DW3009112	PIEG. SUPPORTO MAGNETE PER PORTA	ECONOMIZER MICROSWITCH SUPPORT
11	DW3003112	REED MICRO PORTA E530	MAGNETIC REED SWITCH
12	DW80116	PIEDINO 2" REG. 112-215 A304"	ADJUSTABLE FOOT 112-215 2"
13	DW3009033	PIEG. GUIDA PATTINO	DOOR SLIDING BLOCK
14	DW3060140	PIEG PETTINE GIUNZ VASCHE PARASPRUZ STDA	SPLASH GUARD RACK
15	DW3000315	GANCIO SICUREZZA PORTA FX/CX	SAFETY DOOR HOOK
16	DW3000314	STAFFA SICUREZZA PORTA FX/CX	DOOR SAFETY BRACKET



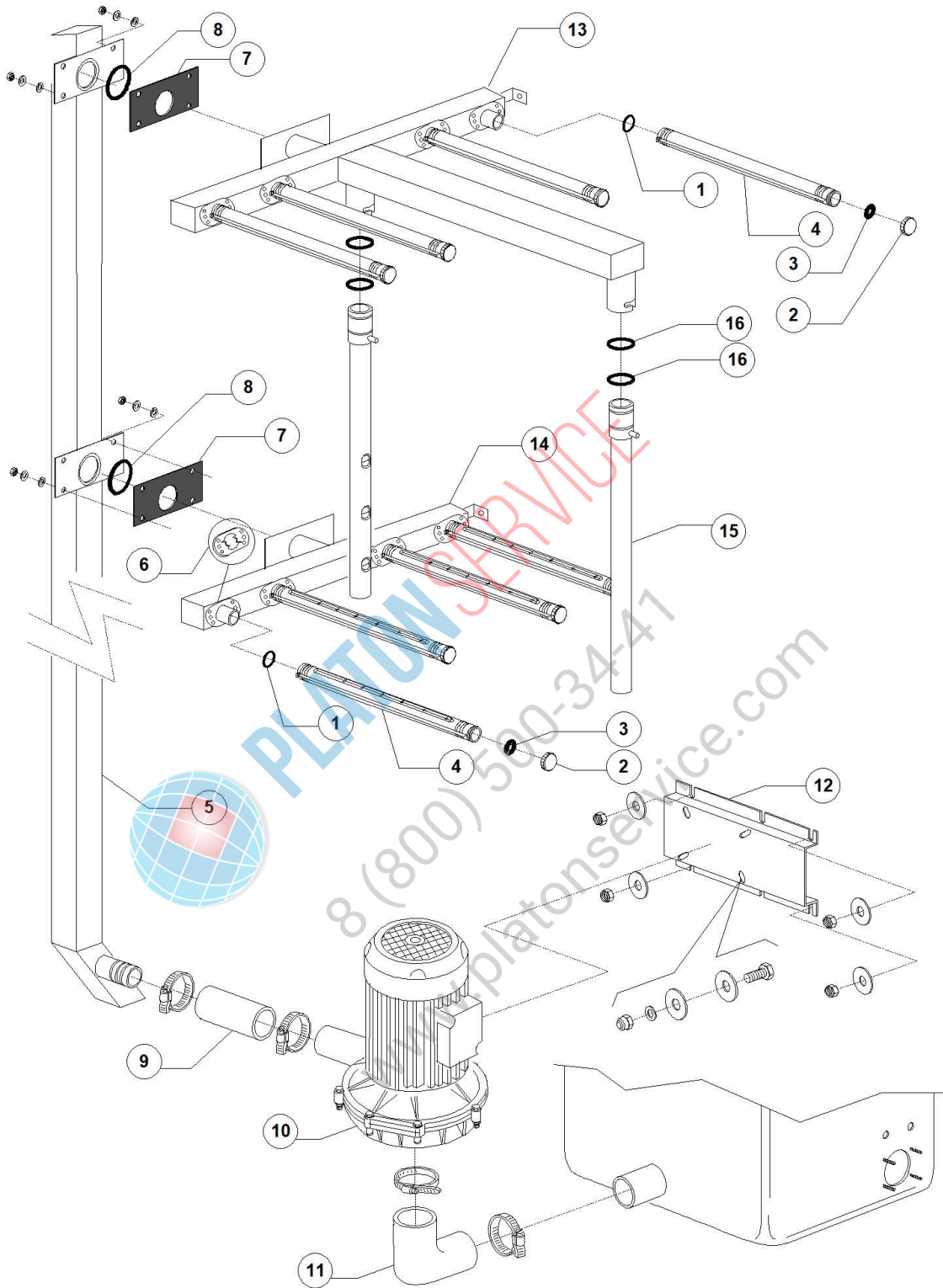
PLATON SERVICE
 8 (800) 500-34-47
 www.platonservice.com



FX250 DX FC90/2 XP 400V3N 50HZ - DWG1000776 - Prelavaggio / Lavaggio L=900 (2) - DW077

Pos.	Codice	Descrizione	Description
1	DW88105	TAPPO TROPPOPIENO GRIGIO	OVERFLOW PIPE PLUG
2	DW2000477	TROPPO PIENO PER AX-151	OVERFLOW PIPE ASSEMBLY
3	DW3004099	#ASSIEME TUBO INNESTO-PILETTA TR.99	OVER FLOW SUPPORT ASSEMBLY
4	DW80106	GABBIA D'ARIA INOX	AIR TRAP ASSEMBLY
5	DW13301	GUARNIZ. IN ROLMART D14x8x1,5	O-RING ROLMART D14X8X1,5 (MIN. 10 PCS)
6	DW3019071	FILTRO ASPIRAZIONE POMPA	SUCTION FILTER
7	DW88110	PRESSOSTATO 250-40	PRESSURE SWITCH 250-40
8	DW75311	CUFFIOTTO PER RESISTENZA 26/03/97	HEATING ELEMENT COVER
9	DW16045	STAFFE FISSAGGIO RESIST.FORO 6.3	HEATING ELEMENT MOUNTING BRACKET D.6,3
10	DW30001011/A	RESIST.12000/13070W 230/240V 3	12000/13070W 230/240V 3 HEATING ELEM.
10	DW30001011/B	RESIST.14000/15240W 230/240V 3	14000/15240W 230/240V 3 HEATING ELEM.
11	DW13015	GUARNIZIONE 6225 OR 160 NBR	6225 O-RING 160 NBR (MIN. 5 PCS)
12	DW11702	DADO M8 INOX UNI5588 DIN934	S/S NUT M8 DIN934 (MIN. 20 PCS)
14	DW10200173	GUARNIZIONE 75X58X2	75X58X2 GASKET
15	DW10600012	DADO BASSO PER FISS. RAMPA G.1200	FASTENING RISER FLAT NUT
16	DW3060030	#FILTRO LAVAGGIO POSTERIORE FX	REAR Strainer plate
17	DW3019074	#SEMIFILTRO ANT. PER POZZETTO AX	STRAINER PLATE FRONT
18	DW3019065	#FILTRO A CESTELLO ZONA LAVAGGIO	SCRAP TRAY
21	DW3060215	#ASS.GUIDA NASTRO 900	L900mm Guide for conveyor
25	DW392060	GUARNIZIONE 65X47X3 NBR (TRAVASI 2008)	GASKET 65X47X3 NBR
26	DW392059	GHIERA 1" 1/2 (TRAVASI 2008)"	RING NUT 1" 1/2
27	DW392061	MANICOTTO 1" 1/2 DRITTO (TRAVASI 2008)"	PIPE COUPLING 1"1/2
28	DW3060319	STAFFA SUPPORTO GOCCIOLATOIO LAV.	DRIP BRACKET
29	DW3060051	#GOCCIOLATOIO LAVAGGIO FX	WASH DRIP FX
33	DW13331	GUARNIZIONE PIANA 65X47X3 NBR	FLAT GASKET D.65X47X3 NBR

FX250 DX FC90/2 XP 400V3N 50HZ - DWG1000776 - Rampa 4+4 - DW077

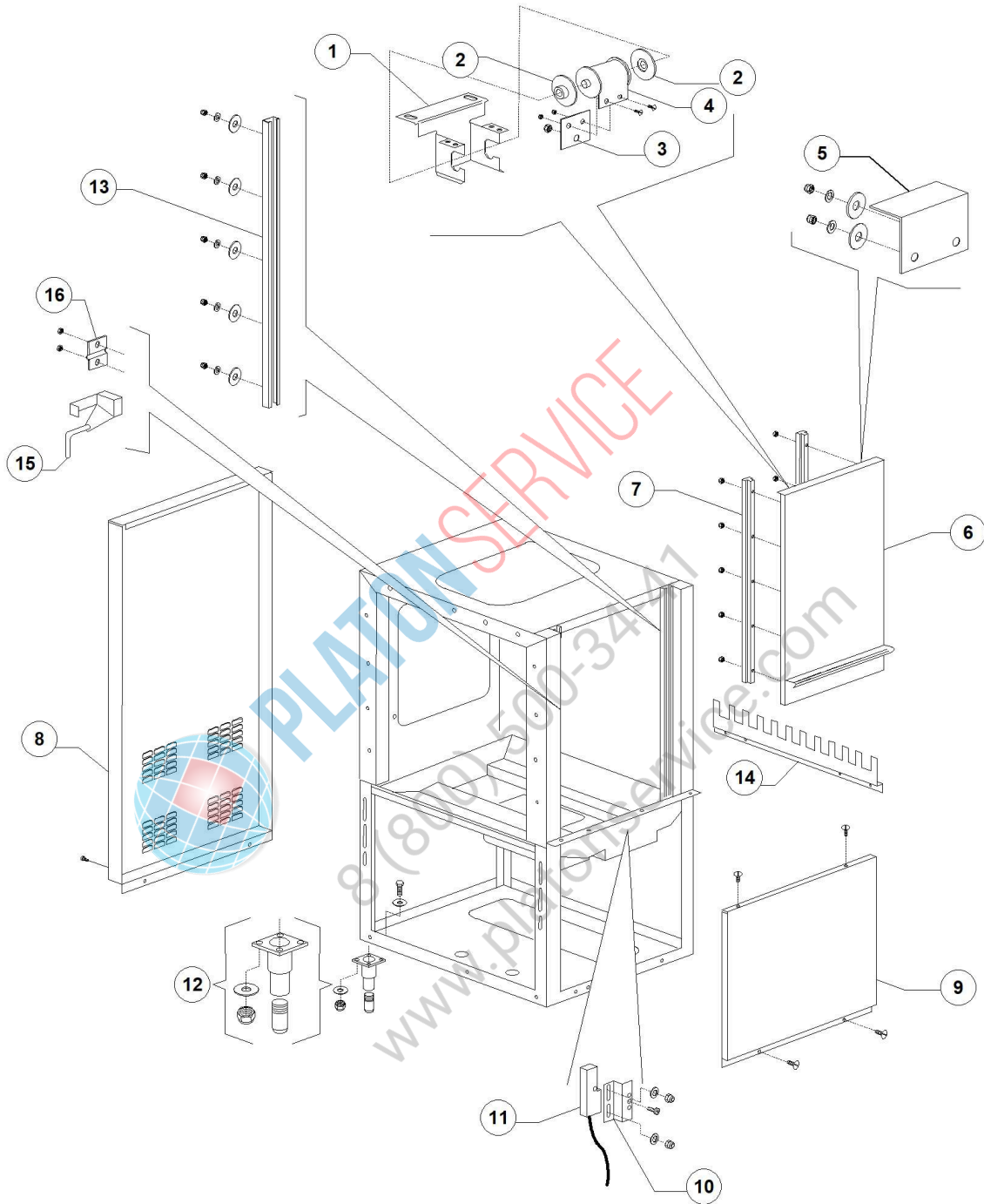


FX250 DX FC90/2 XP 400V3N 50HZ - DWG1000776 - Rampa 4+4 - DW077

Pos.	Codice	Descrizione	Description
1	DW13028	GUA.OR 3,6X30,8X38 R23 NBR 50SH	O RING 3,6X30,8X38 R23 NBR 50SH
2	DW80304	TAPPO PER UGELLO TERMINALE GRIGIO	GREY WASH ARM PLUG
3	DW80305	GUARNIZIONE PER TAPPO TUBO GIRANTE	ARM PLUG GASKET
4	DW3060007	BRACCIO LAVAG. 9 UGELLI FX	WASH ARM 9 NOZZLES
5	DW3060205	#PIANTONE RAMPE LAVAGGIO	EXTERNAL CONNECTION RAMP
6	DW3060182	CAMMA AGGANCIO BAIONETTA NASTRO	ARM CONNECTION FLANGE
7	DW3060202	GUARNIZIONE DISTRIB MOD.99977	SPRAY ARMS ASSEMBLY/RISER GASKET
8	DW105996	GUARNIZIONE OR 3218	O-RING 3218
10	DW88106	POMPA HP2.7 220/380-400 50HZ (1205)	PUMP HP2.7 220/380-400V/50HZ
11	DW3002020	EPDM D.60 MANICOTTO A GOMITO EPDM D.60	ELBOW PIPE COUPLING D.60
12	DW3009148	PIEG. SUPPORTO POMPA MOD.1300	PUMP SUPPORT
13	DW3060150	#GRUPPO LAVAGGIO SUP.900	UPPER WASH ASSEMBLY 900
14	DW3060151	#GRUPPO LAVAGGIO INF.900	LOWER WASH ASSEMBLY 900
15	DW3060012	BRACCIO LAVAG. LATERALE FX	LATERAL WASH ARM
16	DW13000	GUARNIZIONE OR 3125 NBR	O-RING 3125 NBR (MIN. 5 PCS)



PLATON SERVICE
 8 (800) 500-34-41
www.platonservice.com



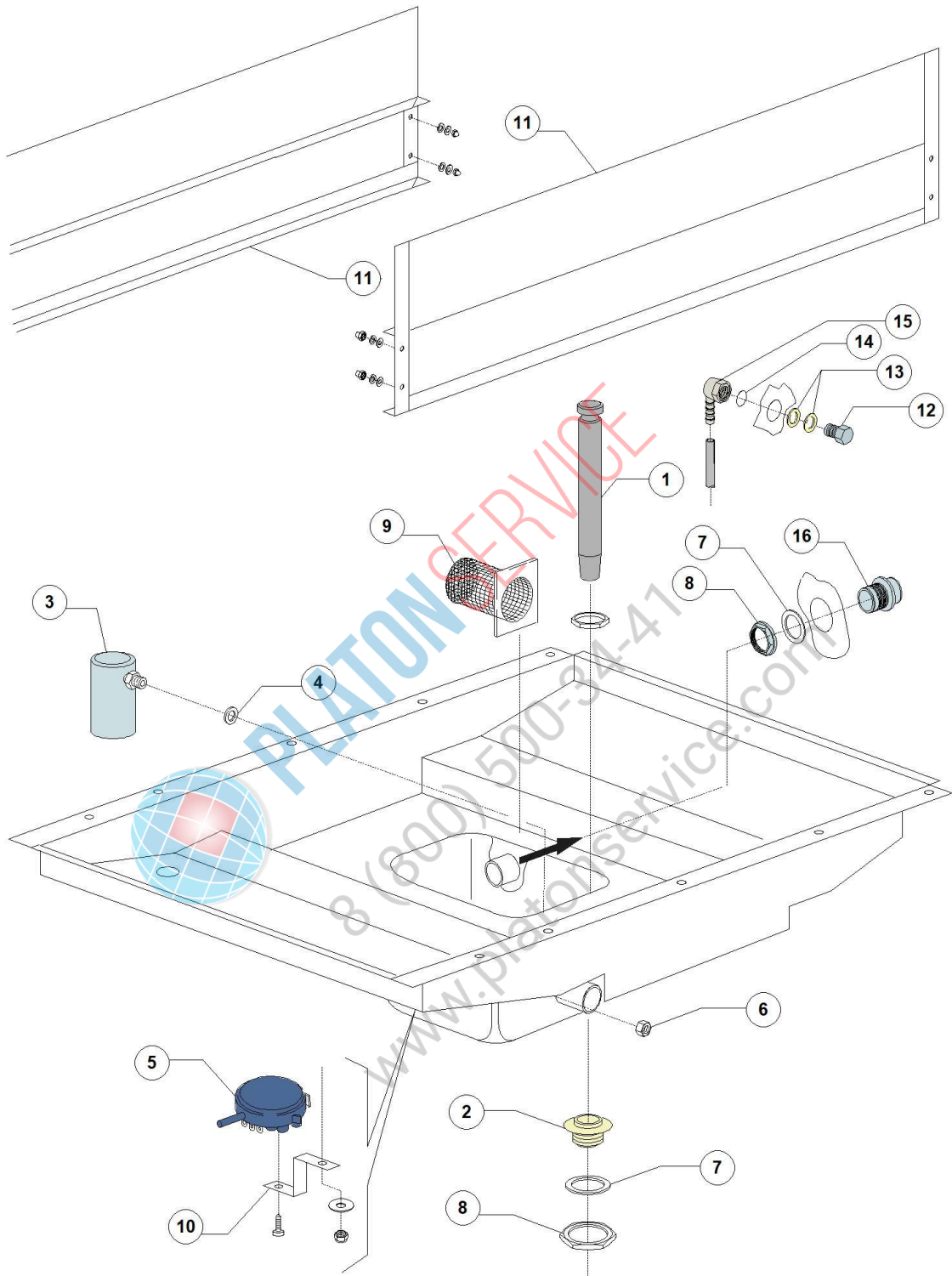
FX250 DX FC90/2 XP 400V3N 50HZ - DWG1000776 - Risciacquo L=600 (1) - DW077

Pos.	Codice	Descrizione	Description
1	DW3009664	#STAFFA SUP.MOLLA BBSR21/23 2003 (N)	SPRING SUPPORT BRACKET BBSR21/23 2003
2	DW3004012	SPALLA SUPPORTO MOLLA PORTA	SPRING HOLDER
3	DW3009555	#PIASTRINA FIX MOLLA TRAINO AX151	SPRING CLAMPING PLATE
4	DW3004011	MOLLA INOX X PORTA MOD.BBSR23	DOOR SPRING BBSR23
5	DW3009269	#SQ.FINE CORSA PORTA	DOOR STOP
6	DW3009402	#ASSIEME PORTA MOD.600 COMPLETA	DOOR ASSEMBLY
7	DW3004026	PROFILO PATTINO GUIDA PORTA L760	DOOR GUIDE
8	DW3060083	#PANNELLO POSTERIORE L600 FX	BACK PANEL L600 FX
9	DW3009178	#PIEG. SOTTOP. ANT. DX/SX 600	FRONT COVER RIGHT
10	DW3009112	PIEG. SUPPORTO MAGNETE PER PORTA	ECONOMIZER MICROSWITCH SUPPORT
11	DW3003112	REED MICRO PORTA E530	MAGNETIC REED SWITCH
12	DW80116	PIEDINO 2" REG. 112-215 A304"	ADJUSTABLE FOOT 112-215 2"
13	DW3009033	PIEG. GUIDA PATTINO	DOOR SLIDING BLOCK
14	DW3060140	PIEG PETTINE GIUNZ VASCHE PARASPRUZ STDA	SPLASH GUARD RACK
15	DW3000315	GANCIO SICUREZZA PORTA FX/CX	SAFETY DOOR HOOK
16	DW3000314	STAFFA SICUREZZA PORTA FX/CX	DOOR SAFETY BRACKET



PLATON SERVICE
 8 (800) 500-34-47
www.platonservice.com

FX250 DX FC90/2 XP 400V3N 50HZ - DWG1000776 - Risciacquo L=600 (2) - DW077

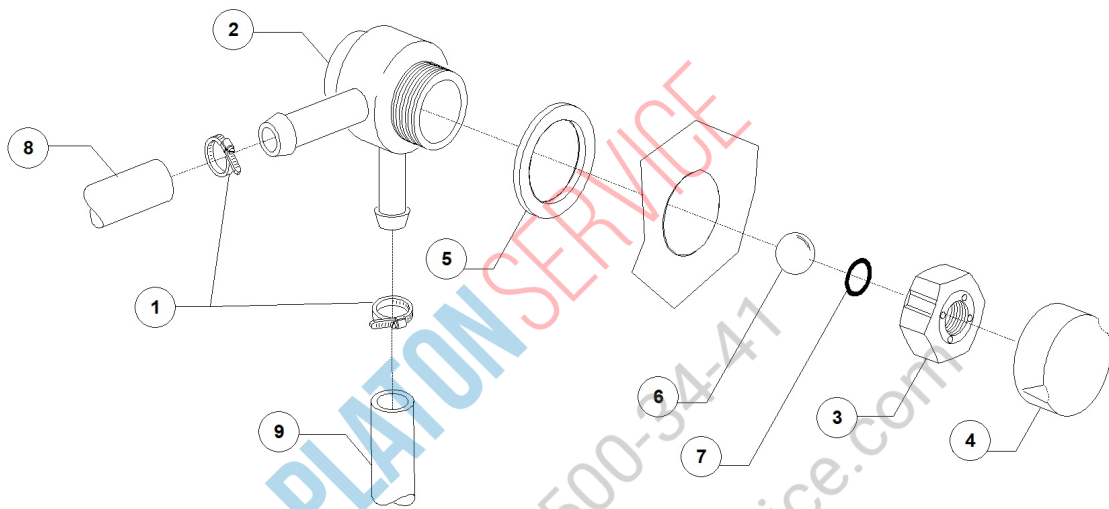


FX250 DX FC90/2 XP 400V3N 50HZ - DWG1000776 - Risciacquo L=600 (2) - DW077

Pos.	Codice	Descrizione	Description
1	DW3004089	TROPPO PIENO CIECO MODULO RISCIAQUO	OVERFLOW PIPE ASSEMBLY
2	DW15063	PILETTA SCARICO INOX	STEEL FLOOR DRAIN
3	DW80106	GABBIA D'ARIA INOX	AIR TRAP ASSEMBLY
4	DW13301	GUARNIZ. IN ROLMART D14x8x1,5	O-RING ROLMART D14X8X1,5 (MIN. 10 PCS)
5	DW10706/A	PRESSOSTATO EL." 46-26"	PRESSURE SWITCH 46-26
6	DW11702	DADO M8 INOX UNI5588 DIN934	S/S NUT M8 DIN934 (MIN. 20 PCS)
7	DW13305	GUARN.GOM.SCARICO 44x32x3 DIS.LS061(SK)	O-RING FOR DRAIN ELBOW 44x32x3 DIS.LS061
8	DW11701/A	DADO INOX PER PIL. SCAR.	S/S NUT
11	DW3060214	#ASS.GUIDA NASTRO 600	L600mm Guide for conveyer
12	DW3003128	GOMITO DI CARICO G3/8	LOADING ELBOW G3/8
13	DW3003130	GUARNIZIONE OR 123 NBR	O-RING 123 NBR
14	DW10200171	GUARNIZIONE FASIT 25X17X2	GASKET 25X17X2
15	DW3003129	GOMITO PORTAGOMMA 12 - G3/8	ELBOW HOSE-CONNECTION 12 G3/8
16	DW10701/B	PILETTA SCARICO DIRITTA	STRAIGHT FLOOR DRAIN



PLATON SERVICE
 8 (800) 500-34-41
www.platonservice.com



PLATON SERVICE
8 (800) 500-34-47
www.platonservice.com

FX250 DX FC90/2 XP 400V3N 50HZ - DWG1000776 - Valvola DVGW - DW077

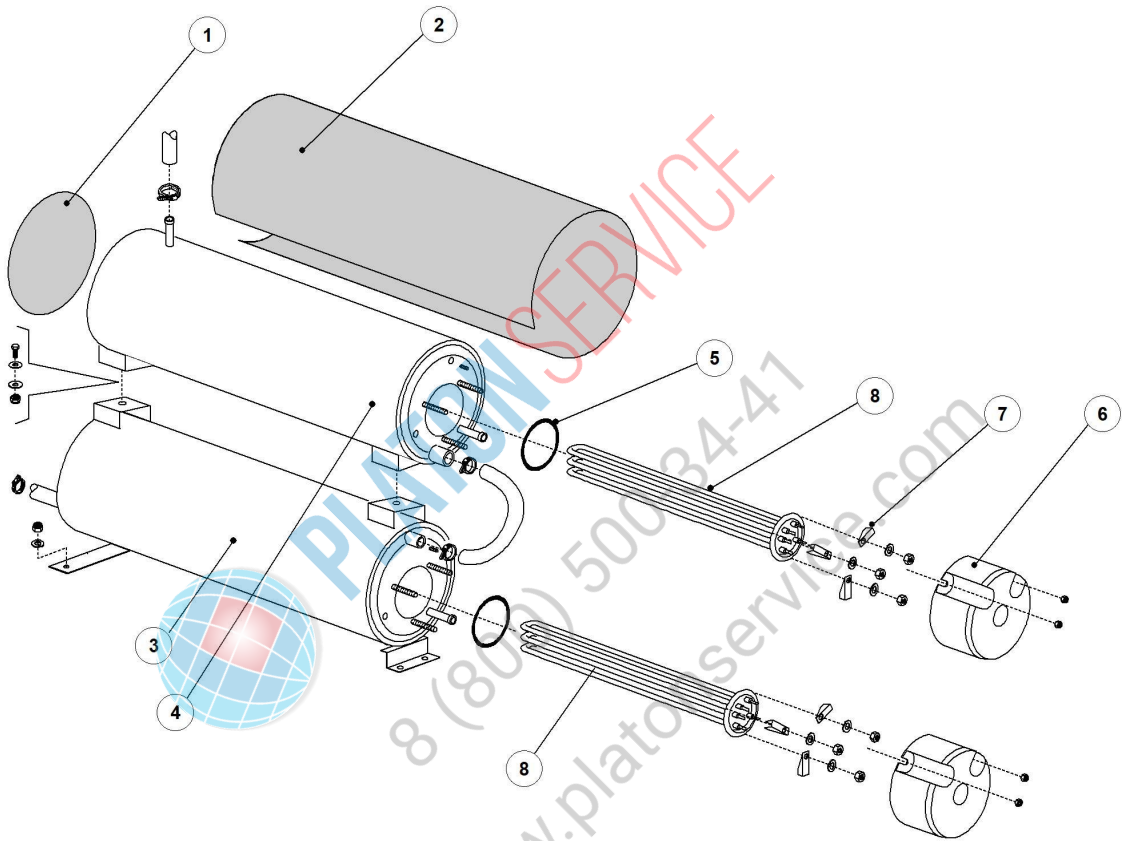
Pos.	Codice	Descrizione	Description
1	DW11807	FASCETTE AISI 430 12/22	CLAMP 12/22 AISI 430 (MIN. 3 PCS)
2	DW15280	CORPO CENTRALE VALVOLA DVGW 07	DRAIN VALVE CENTER BODY
3	DW15281	DADO VALVOLA DVGW 07	VALVE NUT
4	DW15282	COPRI DADO VALVOLA DVGW 07	VALVE NUT COVER
5	DW15283	GUARNIZIONE VALVOLA DVGW 07	VALVE GASKET
6	DW15284	SFERA 5/8" VALVOLA DVGW 07"	5/8" BALL FOR DVGW VALVE 07
7	DW15285	GUARNIZIONE OR 115 KTW VALVOLA DVGW 07	O-RING 115 KTW



PLATON SERVICE

8 (800) 500-34-41

www.platonservice.com



FX250 DX FC90/2 XP 400V3N 50HZ - DWG1000776 - Gruppo boiler - DW077

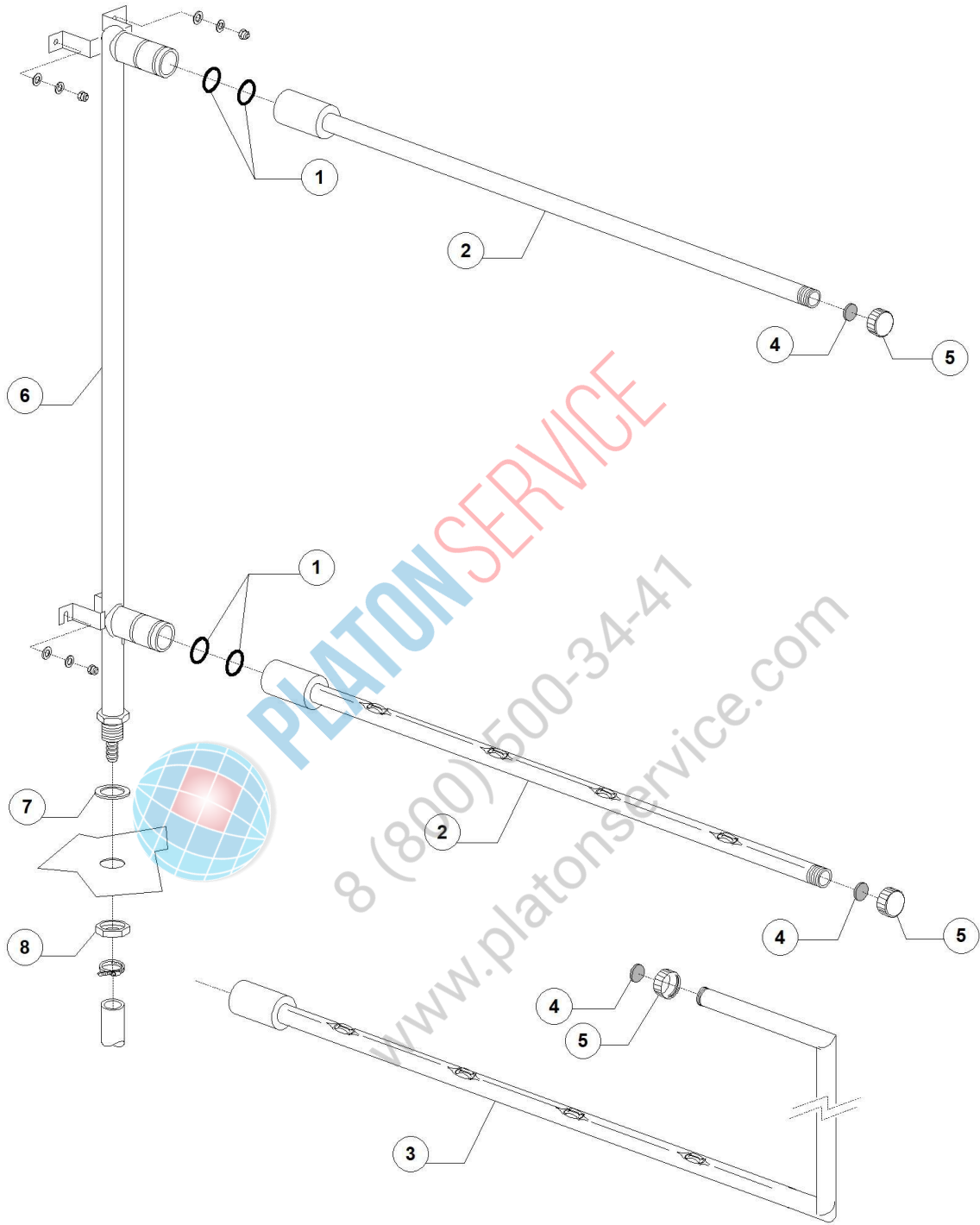
Pos.	Codice	Descrizione	Description
1	DW75205	DISCO IN ESPANSOLENE. AUTOESTING. D.160	INSULATING DISK D.160 (MIN. 2PCS)
2	DW30002030	COIBENTAZIONE BOILER D.155X500	BOILER INSULATING D.155X500
3	DW3007012	BOILER D160x530 INF DOPPIO (AISI 316)	LOWER BOILER
4	DW3007013	BOILER D160x530 SUP DOPPIO (AISI 316)	UPPER BOILER
5	DW13015	GUARNIZIONE 6225 OR 160 NBR	6225 O-RING 160 NBR (MIN. 5 PCS)
6	DW75311	CUFFIOTTO PER RESISTENZA 26/03/97	HEATING ELEMENT COVER
7	DW16045	STAFFE FISSAGGIO RESIST.FORO 6.3	HEATING ELEMENT MOUNTING BRACKET D.6,3
8	DW30001011/A	RESIST.12000/13070W 230/240V 3	12000/13070W 230/240V 3 HEATING ELEM.
8	DW30001011/B	RESIST.14000/15240W 230/240V 3	14000/15240W 230/240V 3 HEATING ELEM.



PLATON SERVICE

8 (800) 500-34-41

www.platonservice.com



FX250 DX FC90/2 XP 400V3N 50HZ - DWG1000776 - Rampa di prerisciacquo L=600 - DW077

Pos.	Codice	Descrizione	Description
1	DW13025	GUARNIZIONE OR 2081	O-RING 2081
2	DW3060009	#BRACCIO PRERISC. 4 UGELLI	PRERINSE ARM 4 NOZZLES
4	DW2002051	GUARN. EPDM TAPPO RISC. D.17,5X1,5	GASKET EPDM D.17,5X1,5
5	DW2002054	TAPPO M18X1 D21X9	RINSE ARM PLUG M18X1 D21X9
6	DW3060008	#RAMPA PRERISCIAQUO FX	PRERINSE RISER
7	DW13326	GUARNIZIONE D.38X27X2	GASKET D.38X27X2
8	DW2200103	DADO 3/4 ES.32X8 OTTONE PER TRAINO	HEXAGONAL BRASS NUT 3/4

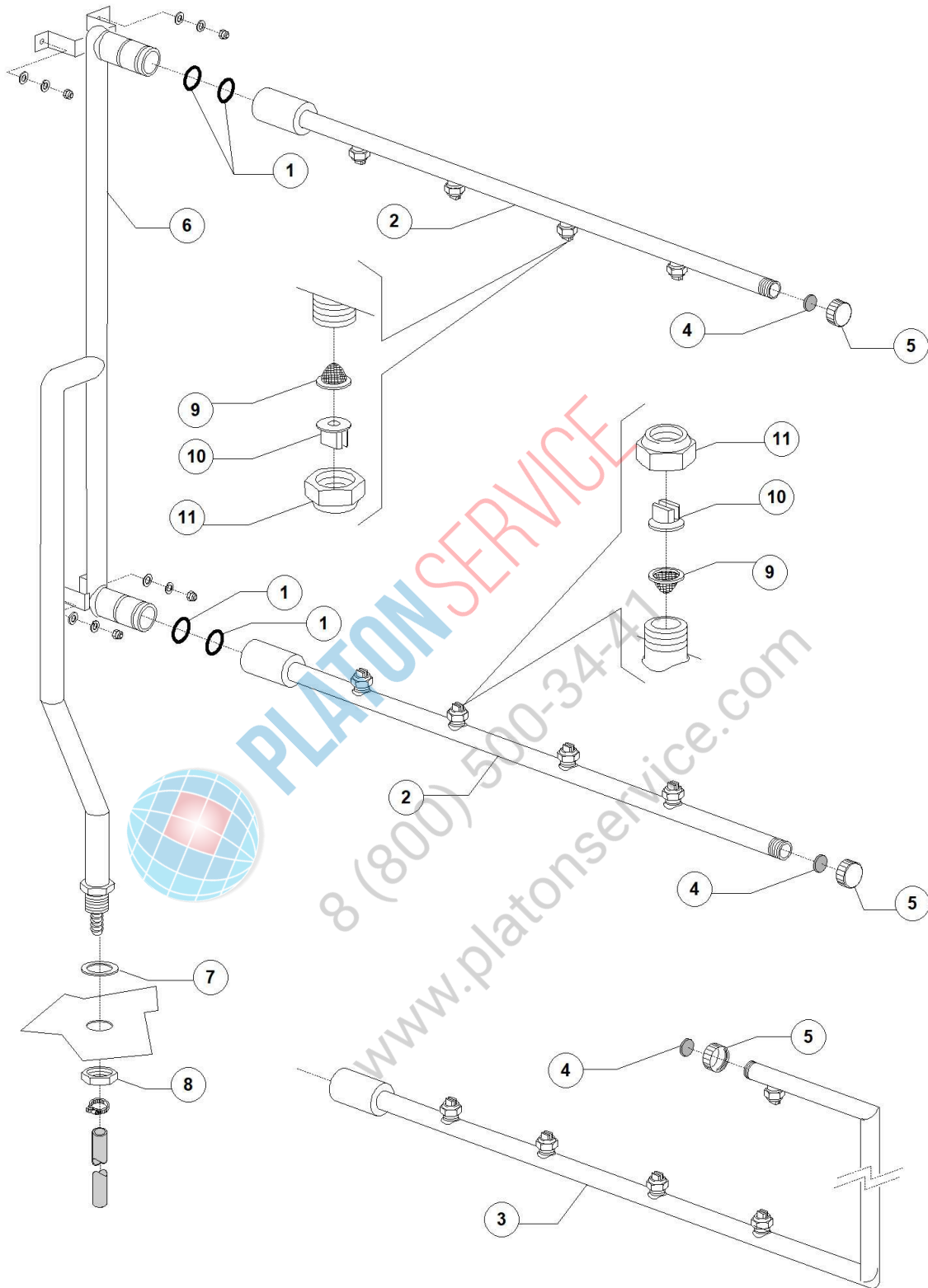


PLATON SERVICE

8 (800) 500-34-41

www.platonservice.com

FX250 DX FC90/2 XP 400V3N 50HZ - DWG1000776 - Rampa di risciacquo L=600 - DW077



FX250 DX FC90/2 XP 400V3N 50HZ - DWG1000776 - Rampa di risciacquo L=600 - DW077

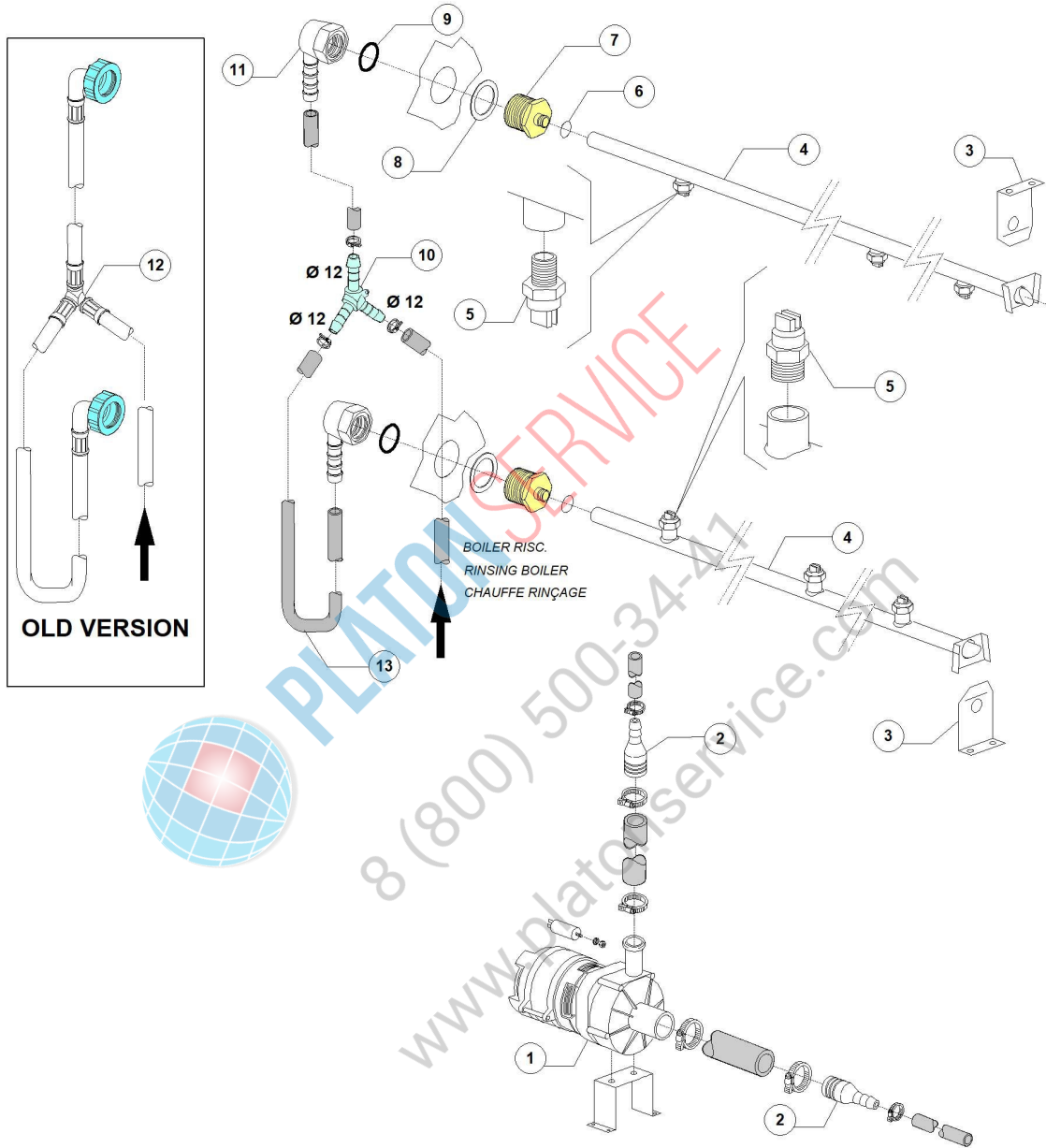
Pos.	Codice	Descrizione	Description
1	DW13025	GUARNIZIONE OR 2081	O-RING 2081
2	DW3060011	BRACCIO RISC. 4 UGELLI FX	RINSE ARM 4 NOZZLES FOR BELT MACHINE
4	DW2002051	GUARN. EPDM TAPPO RISC. D.17,5X1,5	GASKET EPDM D.17,5X1,5
5	DW2002054	TAPPO M18X1 D21X9	RINSE ARM PLUG M18X1 D21X9
6	DW3060126	#RAMPA RISC. NASTRO FX	RINSE RISER
7	DW13326	GUARNIZIONE D.38X27X2	GASKET D.38X27X2
8	DW2200103	DADO 3/4 ES.32X8 OTTONE PER TRAINO	HEXAGONAL BRASS NUT 3/4
9	DW2200117	FILTRO A CUPOLA PER UGELLO A LAMA	NOZZLE FILTER
11	DW2200116	I-GHIERA 3/8F INOX	S/S RING NUT 3/8" F



PLATON SERVICE

8 (800) 500-34-41

www.platonservice.com



FX250 DX FC90/2 XP 400V3N 50HZ - DWG1000776 - Gruppo risciacquo 3R - DW077

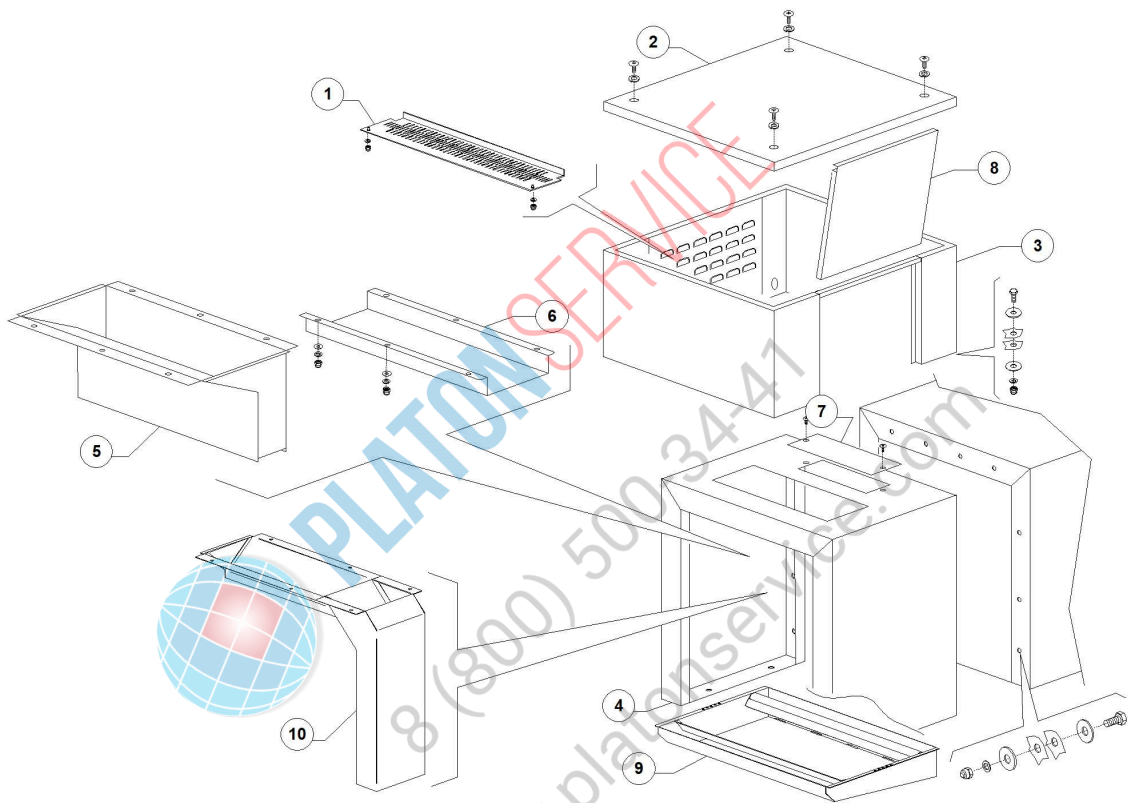
Pos.	Codice	Descrizione	Description
1	DW10501/C	#POMPA HP 0.10 HI-TEMP DIS.70910036	PUMP HP0.10
6	DW13025	GUARNIZIONE OR 2081	O-RING 2081
8	DW3009387	RONDELLA GOMITO CARICO	LOADING ELBOW WASHER
9	DW3003130	GUARNIZIONE OR 123 NBR	O-RING 123 NBR
11	DW3003129	GOMITO PORTAGOMMA 12 - G3/8	ELBOW HOSE-CONNECTION 12 G3/8
13	DW2907350	TUBO GOMMA EPDM 12X20	12X20 EPDM RUBBER PIPE



PLATON SERVICE

8 (800) 500-34-41

www.platonservice.com



FX250 DX FC90/2 XP 400V3N 50HZ - DWG1000776 - Asciugatura (1) - DW077

Pos.	Codice	Descrizione	Description
1	DW3060149	#RETE PROTEZIONE ASCIUGATUR FC90/2/3	PROTECTION GRID
2	DW3060109	#COPERCHIO CARTER ASCIUG.FC90/2-3	Cover panel
3	DW3060107	#ASSIEME CASSONE SUP. FC90/2-3	ASSEMBLY FOR FC90/2-3
4	DW3060148	#ASSIEME PARASPRUZZI FC90/2/3	SPLASH GUARD ASSEMBLY
8	DW3009268	#CHIUSURA CARTER ASC.LC90/2/3	DRYER CARTER LOCKUP
9	DW3060295	ASSIEME RICIRCOLO ARIA SU ASCIUGATURA FX	DEFLECTOR FOR DRYER AIR RECIRCULATION

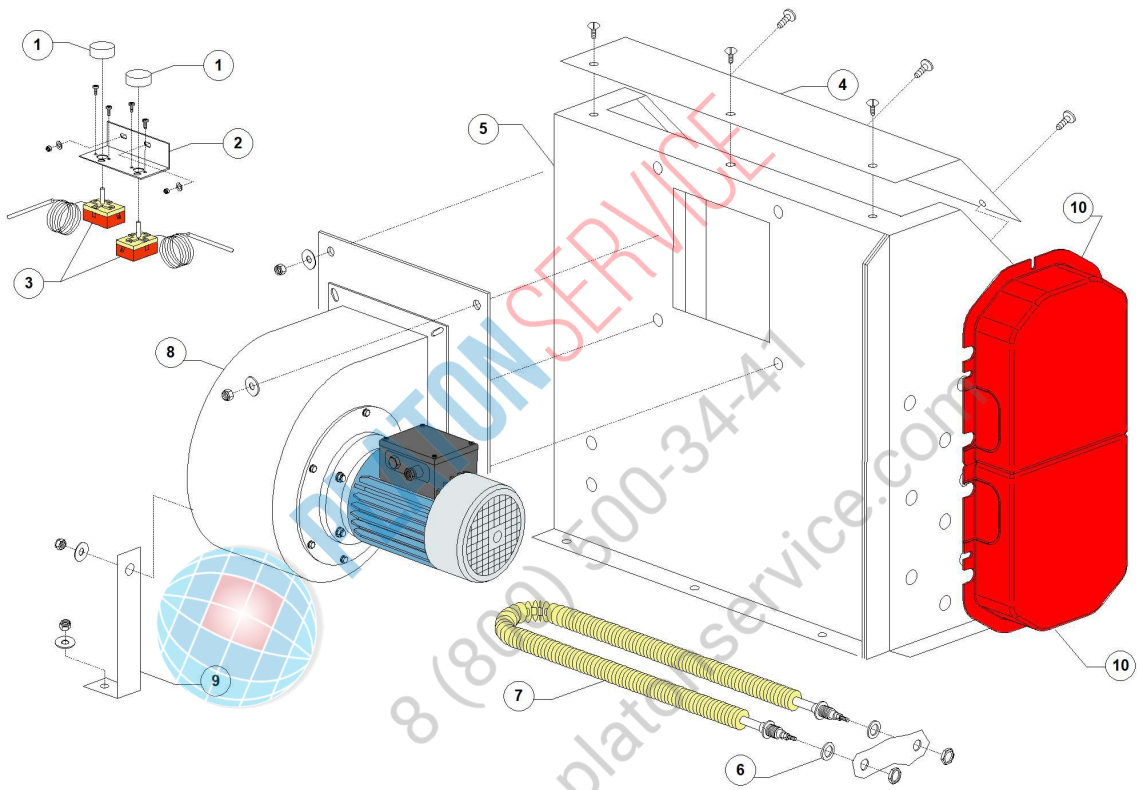


PLATON SERVICE

8 (800) 500-34-41

www.platonservice.com

FX250 DX FC90/2 XP 400V3N 50HZ - DWG1000776 - Asciugatura (2) - DW077



FX250 DX FC90/2 XP 400V3N 50HZ - DWG1000776 - Asciugatura (2) - DW077

Pos.	Codice	Descrizione	Description
1	DW15105/C	MANOPOLA TERMOSTATO 0-300°C	THERMOSTAT KNOB 0-300°C
2	DW3009104	PIEG. SQ. TERMOSTATI PER ASCIUGATUR (N)	DRYER THEMOSTATS SUPPORT
3	DW10707/3	TERMOSTATO TR2 0-280° C/ALB	THERMOSTAT
4	DW3009085	#PIEG.COPERTURA CONVOGLIATORE	COVER DRYING CONVEYOR
5	DW3009488	#CONV. ARIA CON RESISTENZE DX LC90/2	RIGHT DRYING CONVEYOR
6	DW10200171	GUARNIZIONE FASIT 25X17X2	GASKET 25X17X2
7	DW2000359	RESIST.2000/2180W 230/240V 1	2000/2180W 230/240V 1 HEATING ELEM.
8	DW3003118	MOTOVENTILAT VMN604 0,25KW 230/400 50HZ	CENTRIFUGAL FAN 0,25KW 230/400V 50HZ

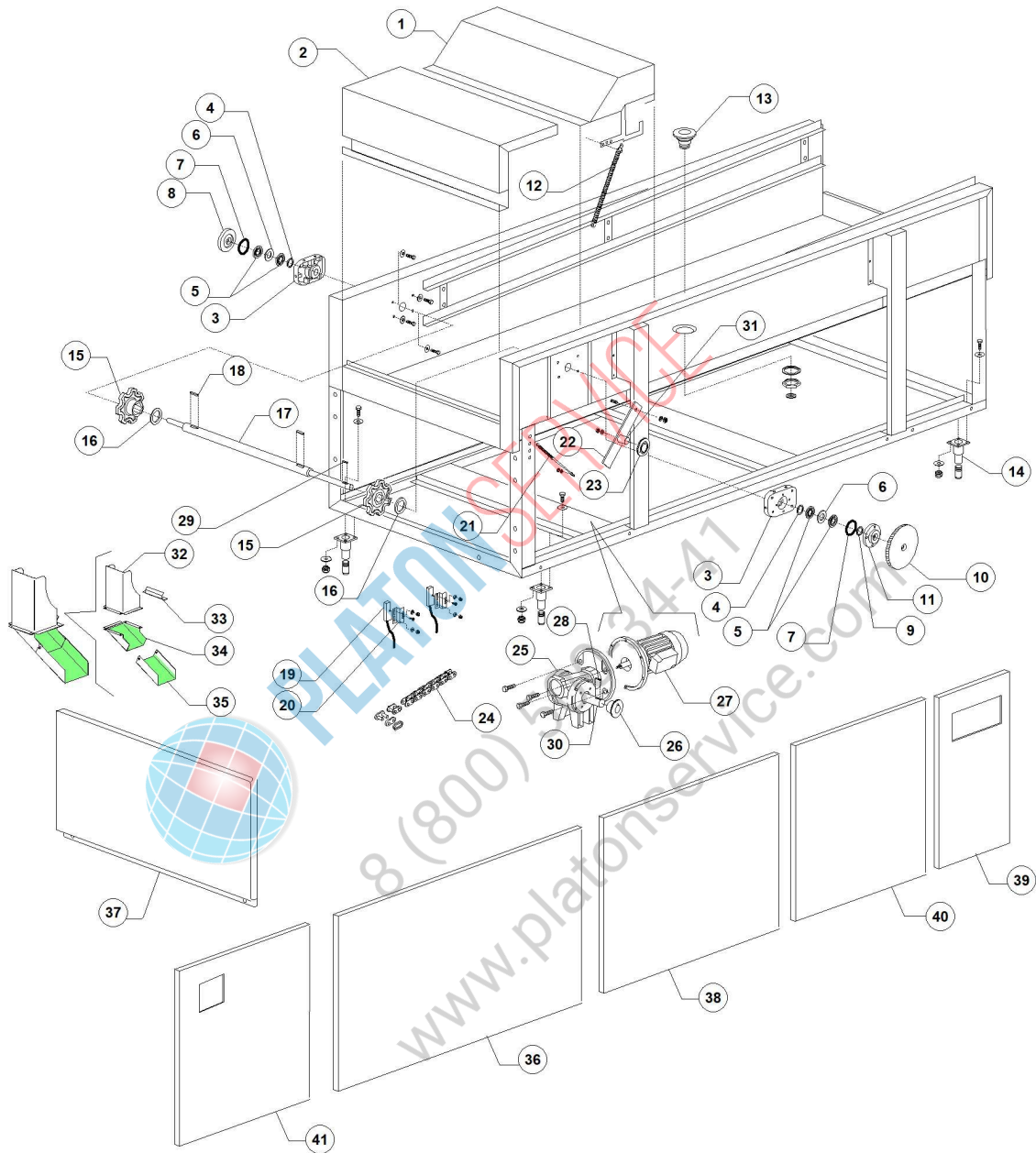


PLATON SERVICE

8 (800) 500-34-41

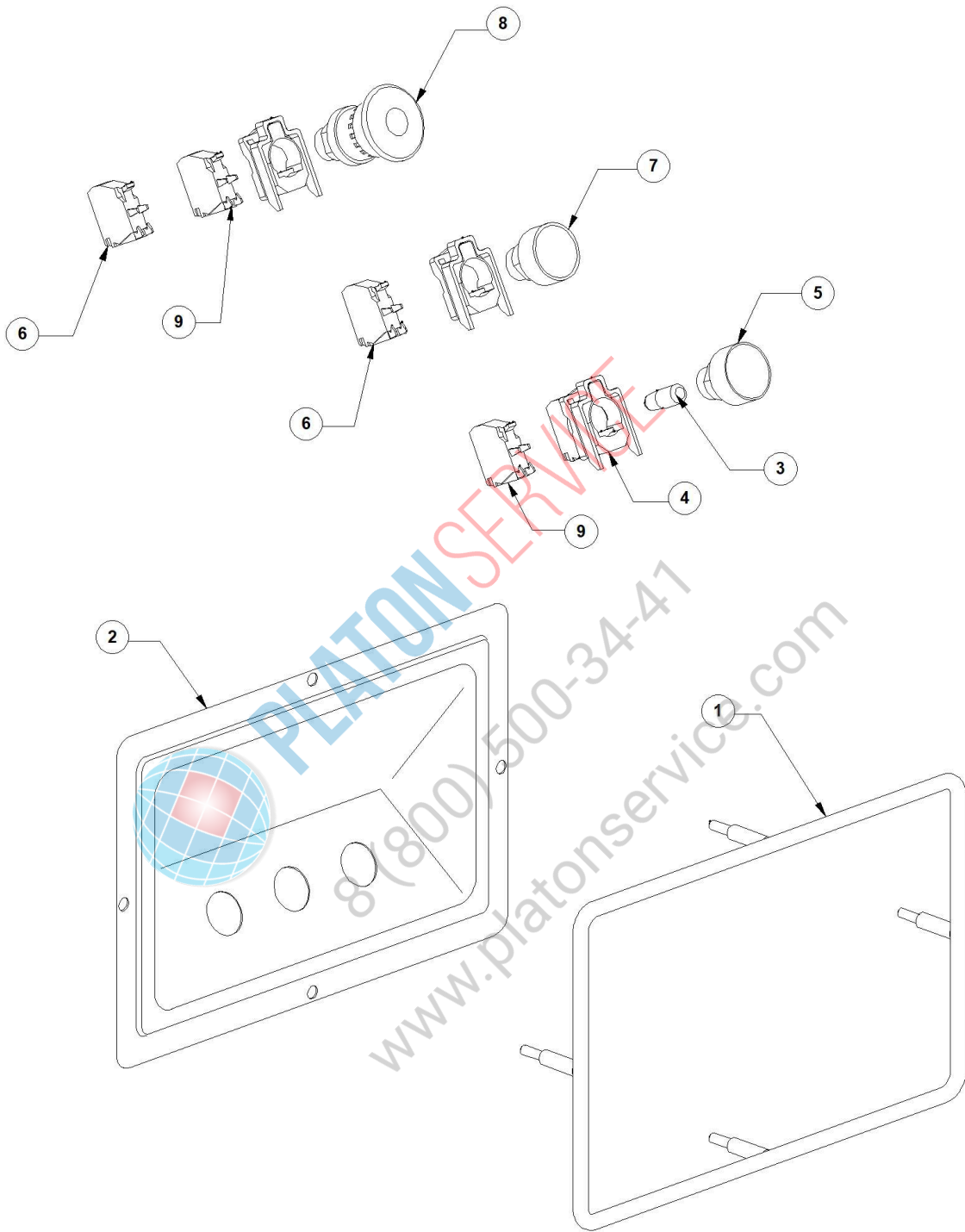
www.platonservice.com

FX250 DX FC90/2 XP 400V3N 50HZ - DWG1000776 - Mensola di uscita - DW077



FX250 DX FC90/2 XP 400V3N 50HZ - DWG1000776 - Mensola di uscita - DW077

Pos.	Codice	Descrizione	Description
1	DW3060119	#ASSIEME FINE CORSA PIATTI FX	And entirety run plates assembly
2	DW3060066	SPORTELLO MENSOLA FX	SHELF DOOR
3	DW3060028	SUPPORTO LATERALE ALBERO	NEUTRAL SHAFT SIDE SUPPORT
4	DW3060194	ANELLO TENUTA VITON 20.30.5 M.INOX	RING FOR HUB
5	DW3060131	CUSCINETTO SS6004 2RS 42-20-12 TEN. GOMM	S/S BEARING 6004 42X20X12 2RS
6	DW3060199	DISTANZIALE CUSCINETTI NASTRO	SPACER FOR BEARINGS
7	DW13008	GUARNIZIONE OR 147 NBR	O-RING 147 NBR (MIN. 5 PCS)
8	DW3060130	#COPERCHIO SENZA FORO	Cover without hole
9	DW3060194	ANELLO TENUTA VITON 20.30.5 M.INOX	RING FOR HUB
10	DW3060003	PIGNONE Z50 1/2" 5/16"	PINION Z50 1/2" 5/16"
11	DW3060129	#COPERCHIO CON FORO	Cover with hole
12	DW550206/A	MOLLA SPORTELLO GS100 SUP.CORTA FIL	DOOR SHORT SPRING
13	DW3060136	PILETTA MENSOLE GHIDINI ART.465	FLOOR DRAIN
14	DW80116	PIEDINO 2" REG. 112-215 A304"	ADJUSTABLE FOOT 112-215 2"
15	DW3060022	PULEGGIA TRASC.NASTRO P60 Z7 (min. 2 pz)	CAPSTAN PULLEY BELT MACHINE
16	DW3060055	DISTANZIALE PULEGGIA ARNITE	PULLEY SPACER
17	DW3060031	ALBERO TRASCINAMENTO NASTRO FX	CAPSTAN
18	DW2001046	CHIAVETTA 8X7X30 INOX	S/S FLAT KEY 8X7X30
19	DW3003112	REED MICRO PORTA E530	MAGNETIC REED SWITCH
20	DW3009112	PIEG. SUPPORTO MAGNETE PER PORTA	ECONOMIZER MICROSWITCH SUPPORT
21	DW560003	MOLLA SPORTELLO TEK6 FILO 1,7 DE12	DOOR SPRING
22	DW3060167	TENDICATENA	CHAIN TIGHTNER
23	DW3060042	PIGNONE TENDICATENA 1/2 Z18 FX	CHAIN TIGHTENER PINION 1/2 Z18
24	DW3060041	CATENA 1/2" 08B	CHAIN 1/2" 08B
25	DW3000209	RIDUT.TRAI.LIMIT.RID.1:100 DX	R 1:100 REDUCTION GEAR CONVEYOR MACHINES
26	DW3060042	PIGNONE TENDICATENA 1/2 Z18 FX	CHAIN TIGHTENER PINION 1/2 Z18
26	DW3060168	PIGNONE Z10 1/2" 5/16"	PINION Z10 1/2" 5/16"
27	DW3000127	MOTORE TRAINO 4/6P 400/415V.50HzDIN	CONVEYOR MOTOR 4/6P 400/415V 50HZ
28	DW2001046	CHIAVETTA 8X7X30 INOX	S/S FLAT KEY 8X7X30
28	DW3060181	CHIAVETTA 5X5X25 INOX	S/S FLAT KEY 5X5X25
29	DW3060032	CHIAVETTA 6X6X20 INOX	S/S FLAT KEY 6X6X20
30	DW3060180	ALBERO RIDUTTORE SITI	SITI REDUCTION GEAR SHAFT
31	DW3060166	ALBERO PIGNONE TENDICATENA	UNIT MOTOR SURFACE TRAY WASHER
37	DW3060084	#SOTTOPORTA (TESTATA) MENSOLA FX	LOWER DOOR
38	DW3060117	#PANNELLO LATERALE MENSOLA L900	
39	DW3060114	#PANNELLO LAT.MENSOLA ANT.L300	
40	DW3060116	#PANNELLO LATERALE MENSOLA L600	



FX250 DX FC90/2 XP 400V3N 50HZ - DWG1000776 - Pannello comandi mensola - DW077

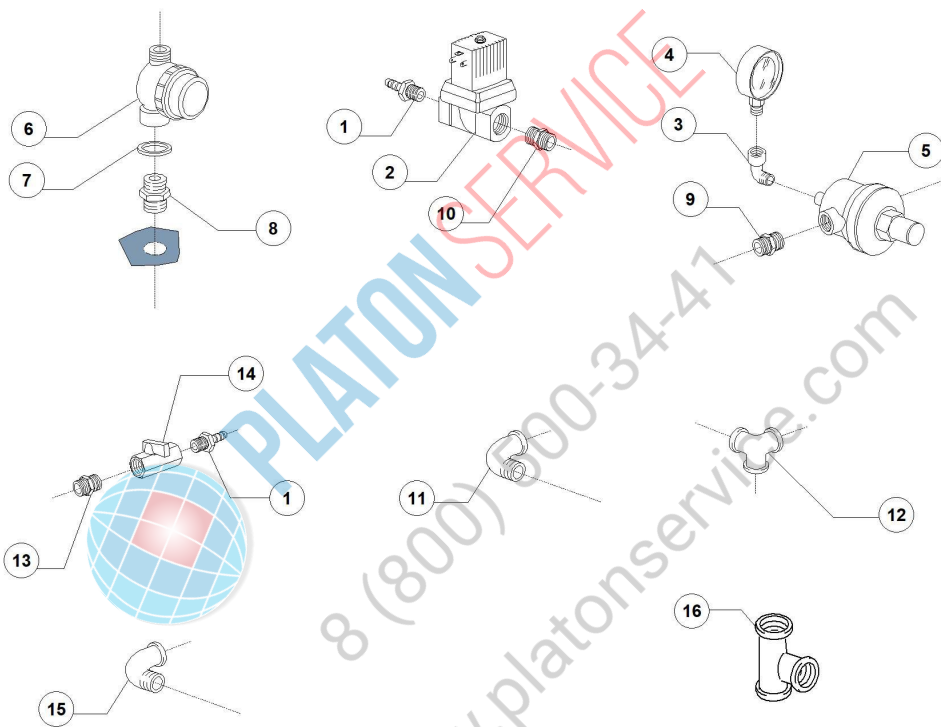
Pos.	Codice	Descrizione	Description
1	DW3062061	PROTEZIONE COMANDI SU MENSOLA	SHELF CONTROL PANEL PROTECTION
2	DW3060127	CRUSC.COMANDI LATERALE FX	SHELF CONTROL PANEL
3	DW3002068	LAMPADA PER SPIA 24V 2W TRAINO	PILOT LIGHT
4	DW2000234	PORTA SPIA DIAMETRO 22 - TADB -	PILOT LIGHT HOLDER D.22
5	DW2000284	PULSANTE LUMINOSO BIANCO-VERDE (START)	ILLUMINATED PUSH BUTTON WHITE/GREEN
6	DW3002056	CONTATTO 1NC RET. 31A5	CONTACT 1NC
7	DW3002055	PULSANTE RASATO OPACO NERO-ROSSO 31B2	PUSH BUTTON BLACK/RED
8	DW3002050	PULS.FUNGO D.35 OP.SBLOC.ROT. 30A3	EMERGENCY BUTTON
9	DW3002054	CONTATTO 1NA	CONTACT 1NA



PLATON SERVICE

8 (800) 500-34-41

www.platonservice.com

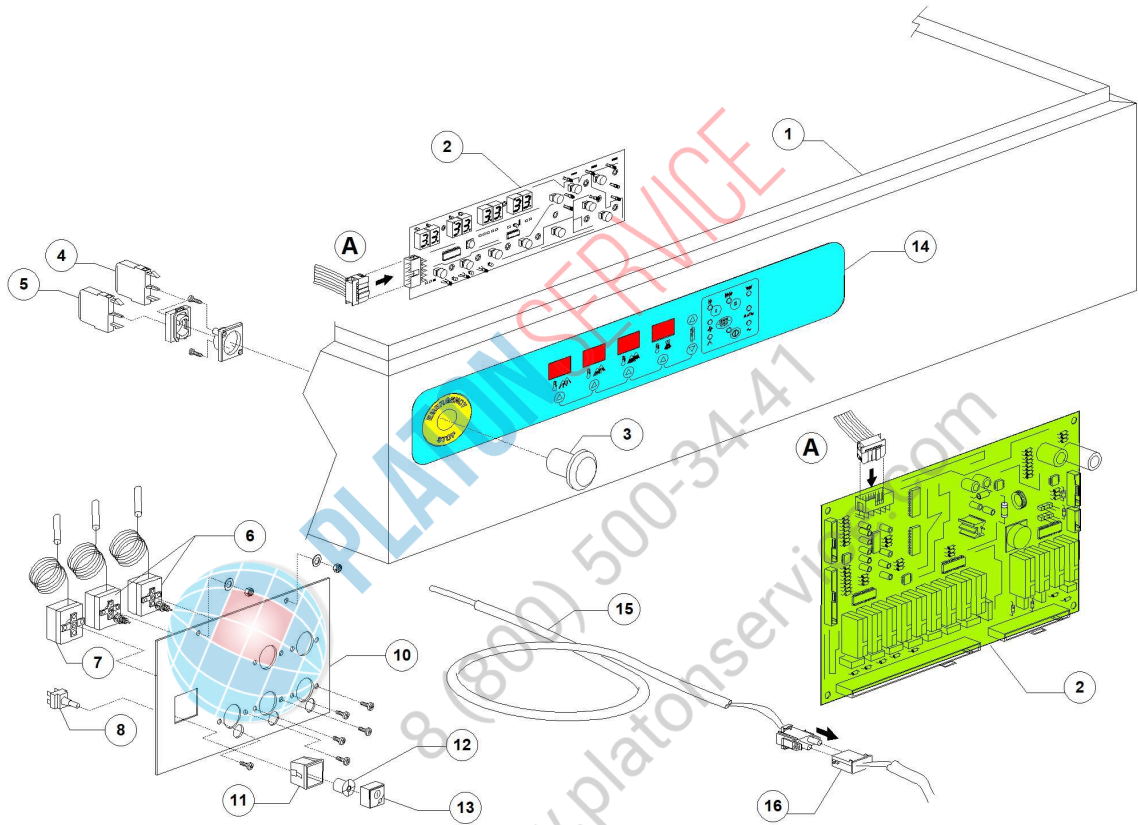


FX250 DX FC90/2 XP 400V3N 50HZ - DWG1000776 - Gruppo valvole - DW077

Pos.	Codice	Descrizione	Description
1	DW12023	PORTAGOMMA M 1/2 diam 12 PG260	HOSE CONNECTOR 10 M1/2 PG260
2	DW3002030	ELETTROVALV. OT58 1/2" 24V 50/60HZ	SOLENOID VALVE OT58 1/2" 24V 60HZ
3	DW12012	GOMITO M/F 1/4	M/F 1/4 ELBOW
4	DW2000244	MANOMETRO RIDUTTORE PRESS.1/4CONIC	PRESSURE REDUCTION GAUGE 1/4"
5	DW2000364	RIDUTTORE DI PRESS.FILTRO INOX 1/2"	1/2" PRESSURE REDUCER S/S FILTER
6	DW2000121	FILTRO LINEA CARICO ACQ. 3/4" FF/MF	WATER LOADING FILTER 3/4" F-F/M-F
7	DW13326	GUARNIZIONE D.38X27X2	GASKET D.38X27X2
8	DW12025	"#NIPPLE GAS/CIL. 3/4" M-M	NIPPLE GAS/CIL. 3/4" M-M
10	DW3002145	#NIPPLE DI RID. 3/4 M - 1/2 M (3071205)	REDUCTION NIPPLE 3/4 M - 1/2 M
12	DW3002143	#DISTRIBUTORE A GOMITO F/F/F 3/4	ELBOW DISTRIBUTOR
13	DW12027	"#IPPLE 1/2" M-M INOX"	NIPPLE 1/2" M-M INOX
14	DW3002140	RUBINETTO FF 1/2	FF 1/2 WATER VALVE



PLATON SERVICE
 8 (800) 500-34-41
 www.platonservice.com

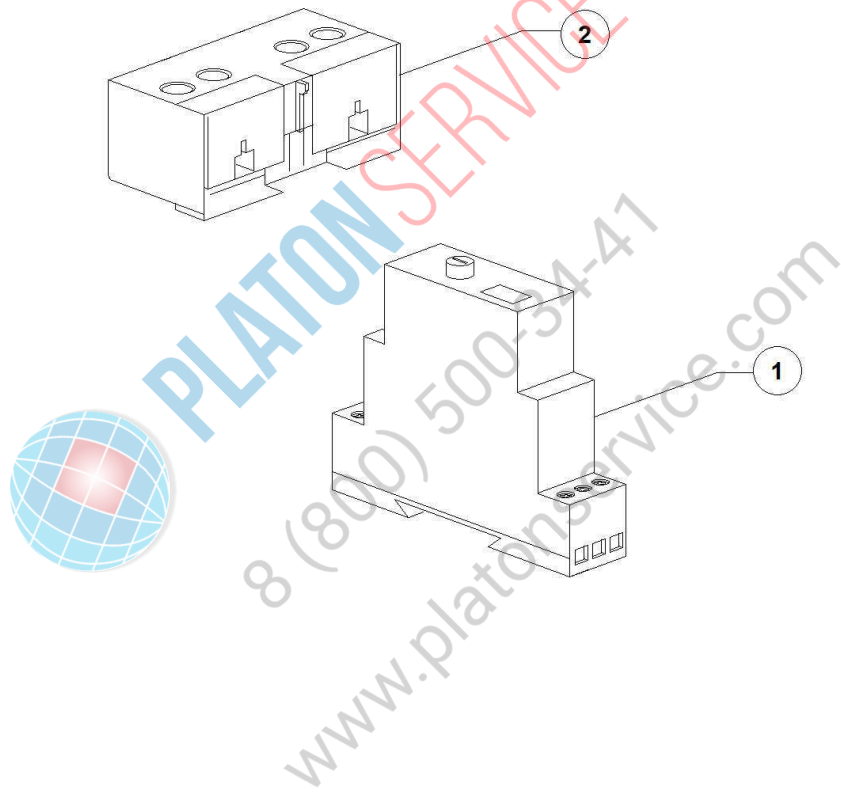


FX250 DX FC90/2 XP 400V3N 50HZ - DWG1000776 - Pannello comandi - DW077

Pos.	Codice	Descrizione	Description
1	DW3060153	ASS.QUADRO COMAN.VERS.ELETTRON FX	CONTROL PANEL ASSEMBLY
2	DW3006164	SCHEDA ELETTRONICA TUNNEL	MAINBOARD CONVEYOR MACHINE
3	DW3002050	PULS.FUNGO D.35 OP.SBLOC.ROT. 30A3	EMERGENCY BUTTON
4	DW3002054	CONTATTO 1NA	CONTACT 1NA
5	DW3002056	CONTATTO 1NC RET. 31A5	CONTACT 1NC
6	DW2000430	TERMOSTATO DI SICUR. 110 1500PVC	SAFETY THERMOSTAT
7	DW10707/1	TERM.0-90 TR2 C1500+PVC POST.N/ALB	THERMOSTAT 0-90
10	DW3009114	PUNZ. STAFFA SUPP. TERMOSTATI PRERI	ASSEMBLY PLATE
14	DW3006169	MOST.QUADRO ELETTR.2 DISPL.TUNNEL	CONTROL OVERLAY NEUTRAL 2 DISPLAYS
15	DW3006165	SONDA TERMOSTATO SCHEDA TUNNEL	THERMOSTAT PROBE
16	DW3006170	PROLUNGA Sonda TERM. SCHEDA TUNNEL	THERMOSTAT PROBE EXTENSION



PLATON SERVICE
 8 (800) 500-34-41
www.platonservice.com



FX250 DX FC90/2 XP 400V3N 50HZ - DWG1000776 - Autotimer - DW077

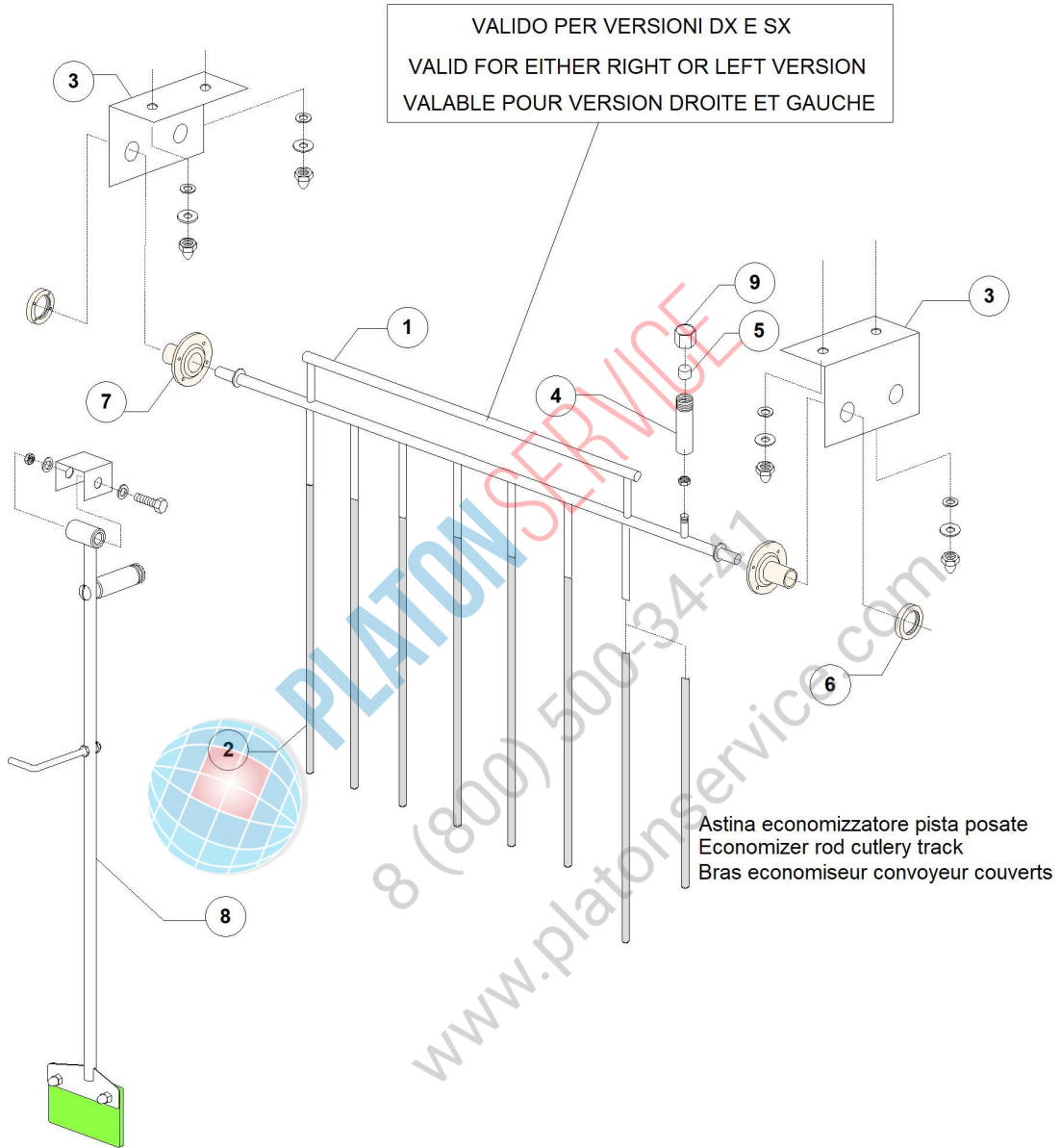
Pos.	Codice	Descrizione	Description
1	DW3006226	RELE TEMPORIZZATA AUTOTIMER 24V	TIME RELAY AUTOTIMER 24V
2	DW3006068	CONTATTI AUSI.X MC9.10 24V 1NA1NO	MC9 AUXILIARY CONTACT 1NO-1NC



PLATON SERVICE

8 (800) 500-34-41

www.platonservice.com



FX250 DX FC90/2 XP 400V3N 50HZ - DWG1000776 - Economizzatori - DW077

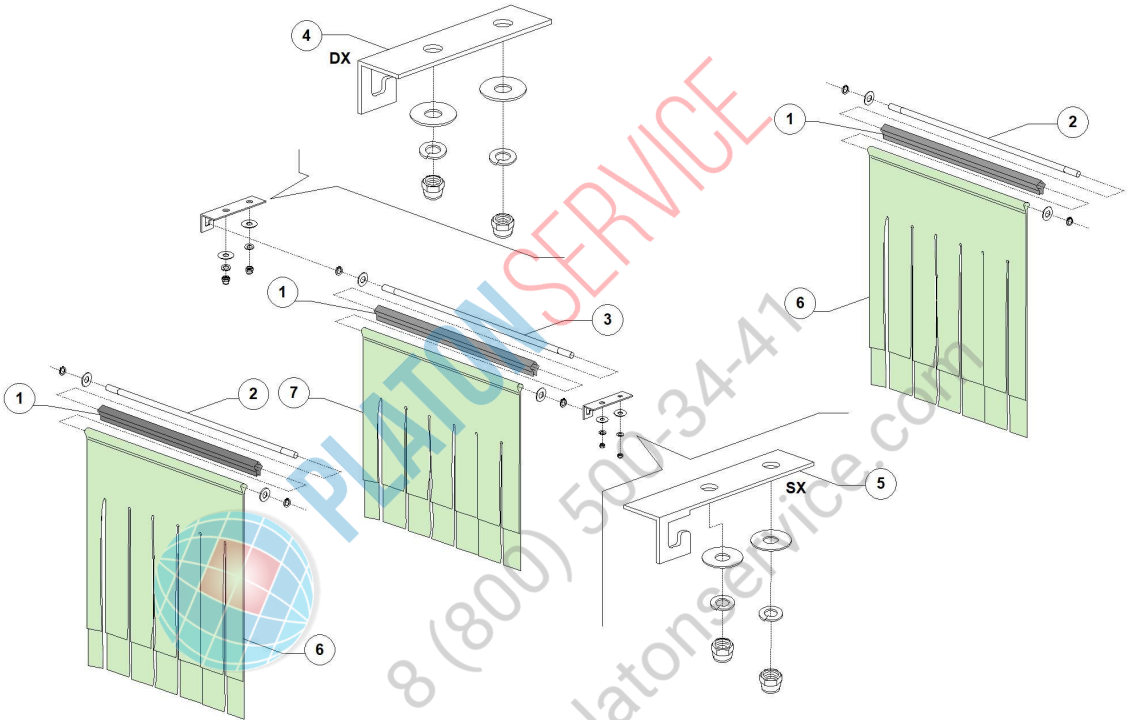
Pos.	Codice	Descrizione	Description
1	DW3060157	#ECONOMIZZ. RISCIAQUO NASTRO STD	RINSE ECONOMIZER BELT MACHINE
2	DW3060159	ASTA ECONOMIZZATORE POM	ECONOMIZER BAR
3	DW3060158	#STAFFA SUPPORTO ECONOMIZZ. NASTRO	Economizer support
4	DW3060065	PORTA CALAMITA ECONOMIZZATORE FX	ECONOMIZER MAGNET HOLDER
5	DW3003113	MAGNETE PER ECONOM. DIAM.12X10 6/97	MAGNETIC UNIT
6	DW75317	DADO PER MOZZO GIR. 11S/96	NUT FOR ROTOR HUB 11S/96
7	DW75320	MOZZO PER GIRANTE 11 S 09/98	HUB FOR ROTOR 11S 09/98
9	DW3004184	TAPPO FEM. 3/8" PER COD. 3003058-3060065"	3/8" FEMALE PLUG



PLATON SERVICE

8 (800) 500-34-41

www.platonservice.com



PLATON SERVICE
8 (800) 500-34-41
www.platonservice.com

FX250 DX FC90/2 XP 400V3N 50HZ - DWG1000776 - Tendine - DW077

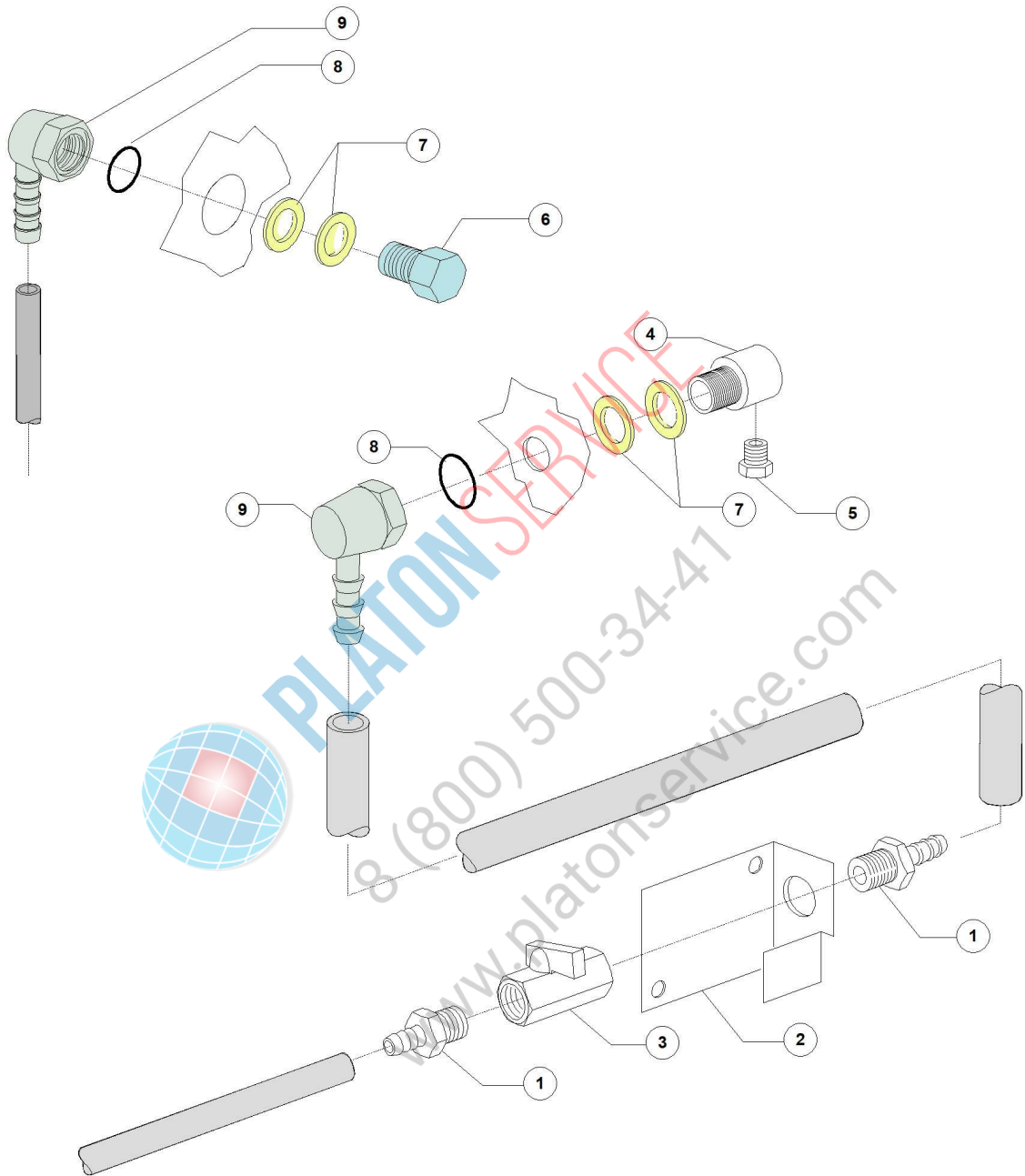
Pos.	Codice	Descrizione	Description
1	DW3060060	#PROFILO PER TENDINA FX	CURTAIN MOULDING
2	DW3060025	ASTA SOSTEGNO PER TENDA INTERNA FX	INNER CURTAIN ROD
3	DW3060026	ASTA SOSTEGNO TENDA ESTERNA FX	EXTERNAL CURTAIN ROD
4	DW3009110	#PIEG. SUPPORTO TENDINA DX	#CURTAIN SUPPORT
5	DW3009722	#PIEG. SUPPORTO TENDINA SX	LEFT CURTAIN SUPPORT
6	DW3060023	TENDINA PARASP.ESTERNA LUNGA FX	LONG EXTERNAL SPALSH GUARD CURTAIN
7	DW3060024	TENDINA PARASP.INTERNA CORTA FX	SHORT INNER SPLASH GUARD CURTAIN



PLATON SERVICE

8 (800) 500-34-41

www.platonservice.com



FX250 DX FC90/2 XP 400V3N 50HZ - DWG1000776 - Economizzatore deterativo - DW077

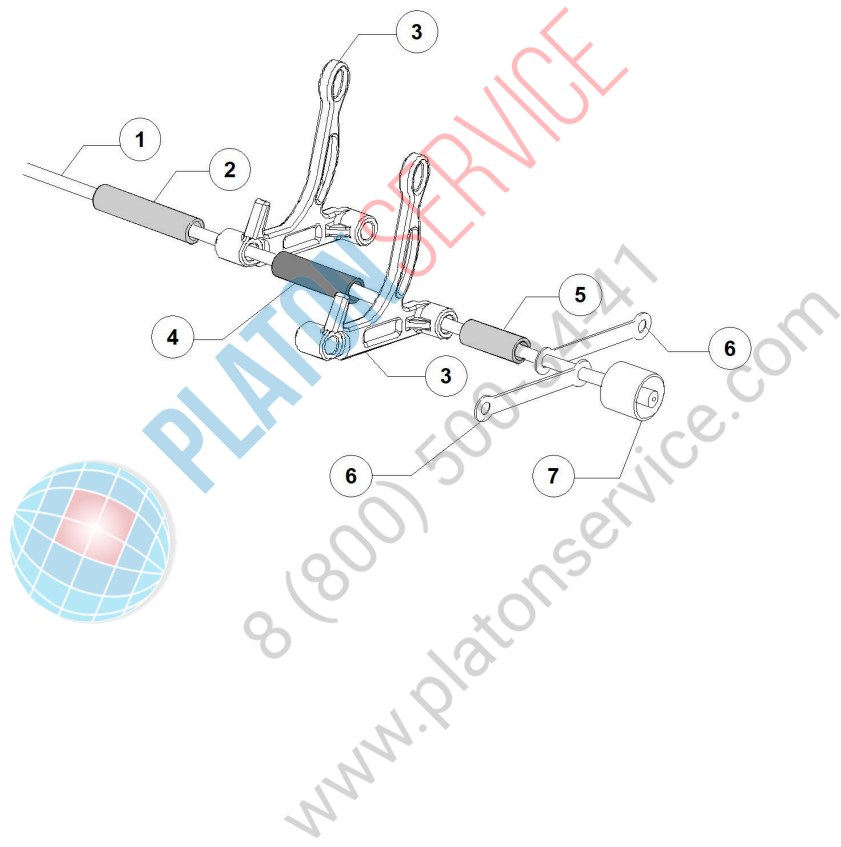
Pos.	Codice	Descrizione	Description
1	DW12023	PORTAGOMMA M 1/2 diam 12 PG260	HOSE CONNECTOR 10 M1/2 PG260
2	DW3009649/A	STAFFA RUBINETTO ECONOM. DETERS.	WATER VALVE BRACKET
3	DW3002140	RUBINETTO FF 1/2	FF 1/2 WATER VALVE
4	DW3003128	GOMITO DI CARICO G3/8	LOADING ELBOW G3/8
5	DW3004168	#INIETTORE ECONOMIZZATORE DET.AX	ECONOMISER DET. INJECTOR
6	DW3003128	GOMITO DI CARICO G3/8	LOADING ELBOW G3/8
7	DW10200171	GUARNIZIONE FASIT 25X17X2	GASKET 25X17X2
8	DW3003130	GUARNIZIONE OR 123 NBR	O-RING 123 NBR
9	DW3003129	GOMITO PORTAGOMMA 12 - G3/8	ELBOW HOSE-CONNECTION 12 G3/8



PLATON SERVICE

8 (800) 500-34-41

www.platonservice.com



FX250 DX FC90/2 XP 400V3N 50HZ - DWG1000776 - Nastro piatti - DW077

Pos.	Codice	Descrizione	Description
1	DW3060000	ASSE NASTRO	AXLE BELT MACHINE
2	DW3060014	DISTANZIALE L46	SPACER L46
3	DW3060035	DENTE LAVAPIATTI	FINGER FOR DISHES
4	DW3060013	DISTANZIALE L34	SPACER L34
5	DW3060125	DISTANZIALE L39	SPACER L39
6	DW3060018	MAGLIA NASTRO P60	S/S MESH P60
7	DW3060001	RUOTA NASTRO	WHEEL FOR BELT



PLATON SERVICE

8 (800) 500-34-41

www.platonservice.com



PLATONSERVICE

8 (800) 500-34-47

www.platonservice.com

